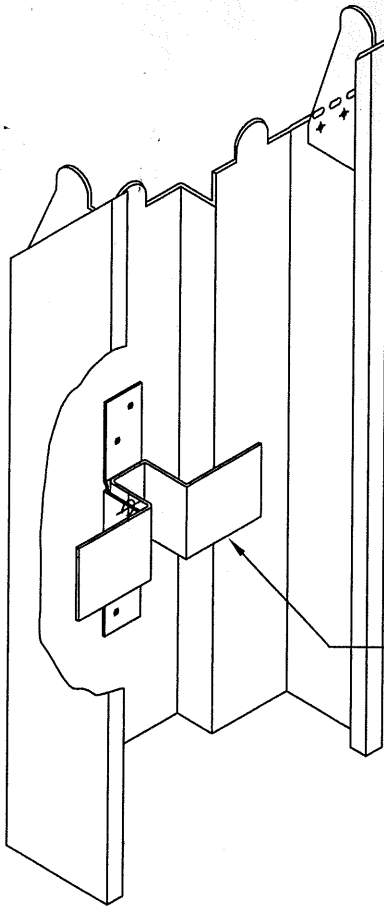


TENSION SCREW/PRESSURE ANCHOR

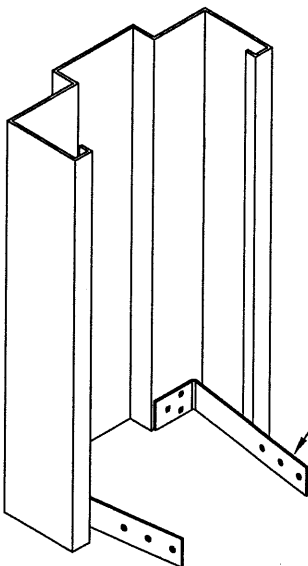
PART NUMBER: FA4030



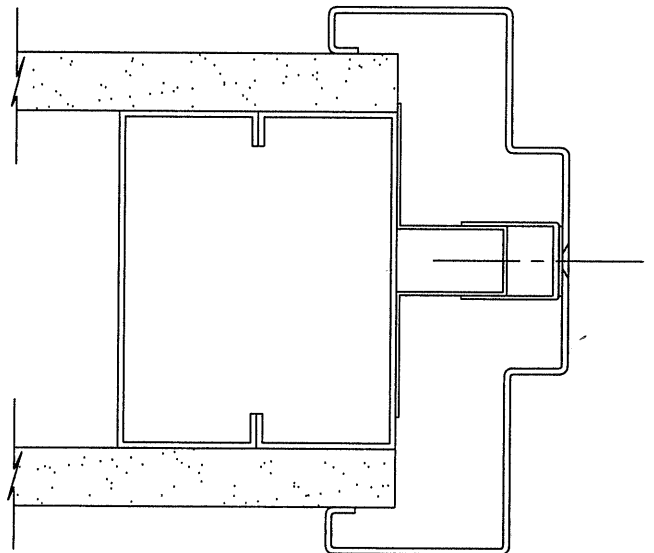
NOTES:

1. SUPPLIED STANDARD IN EACH HINGE JAMB AND STRIKE JAMB WITH ADJUSTING SCREW LOCATED 5" DOWN FROM JAMB/HEAD INTERSECTION.
2. THIS ANCHOR MAY BE SPOTWELDED OR TACKWELDED TO STOPPER.
3. THIS ANCHOR IS APPLIED WHEN THE WALL IS ALREADY ERECTED AND A THREE PIECE KNOCK DOWN FRAME IS REQUIRED. WOOD STRAP ANCHORS (2 SETS PER JAMB) ARE INSTALLED IN THIS APPLICATION.

TENSION SCREW



WOOD STRAP ANCHOR
FA4020



WRAP APPLICATION

1/2 HOUR RATED